

TOOLS RECOMMENDED FOR INSTALLATION



Cordless Drill
(hammer drill for concrete)



Level



Tape Measure and Pencil



Safety Glasses



Bar Clamps



Miter Saw
(with nonferrous blade)



84-Tooth Nonferrous Blade



3/16in Drill Bit
3/16in Masonry Drill Bit
(concrete applications)
5/16in and 5/8in Drill Bits
(for LED Lighting application)



6in #2 Square Drive Bit



Horizontal Cable Tool Kit
(Horizontal Cable Railing)



Cable Gripper Tool
(Horizontal Cable Railing. Attaches to Irwin Brand Vise Grips Model 7R (Sold Separately))



Stainless Steel Cable Cutter
(Horizontal Cable Railing)

RECOMMENDED POST-TO-SURFACE HARDWARE

WOOD OR COMPOSITE DECKING

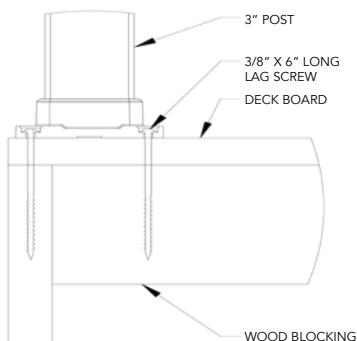


GRK® RSS™ 5/16in x 6in Grade C Yellow Zinc Washer Head Structural Screw

Residential applications only. Available at Menards.

SKU: 2300203

Stocked in stores.



CONCRETE APPLICATIONS

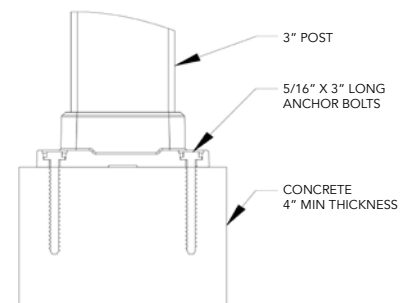


Tapcon® 5/16in x 3in Hex Washer Head Concrete Anchor

Residential applications only. Available at Menards.

SKU: 2327302

Stocked in stores.



S=Stocked in Stores; D=Menards Distribution Center; M=Special Order