

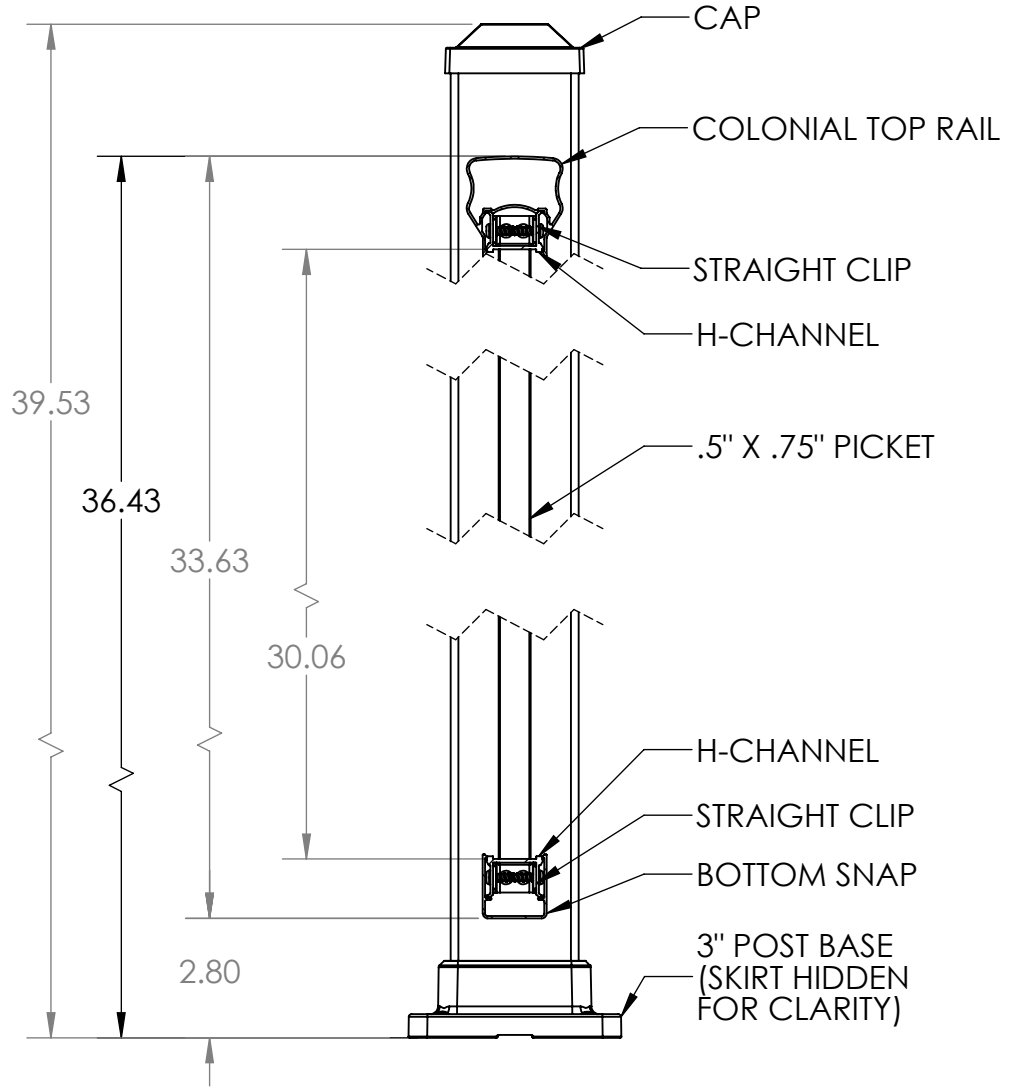
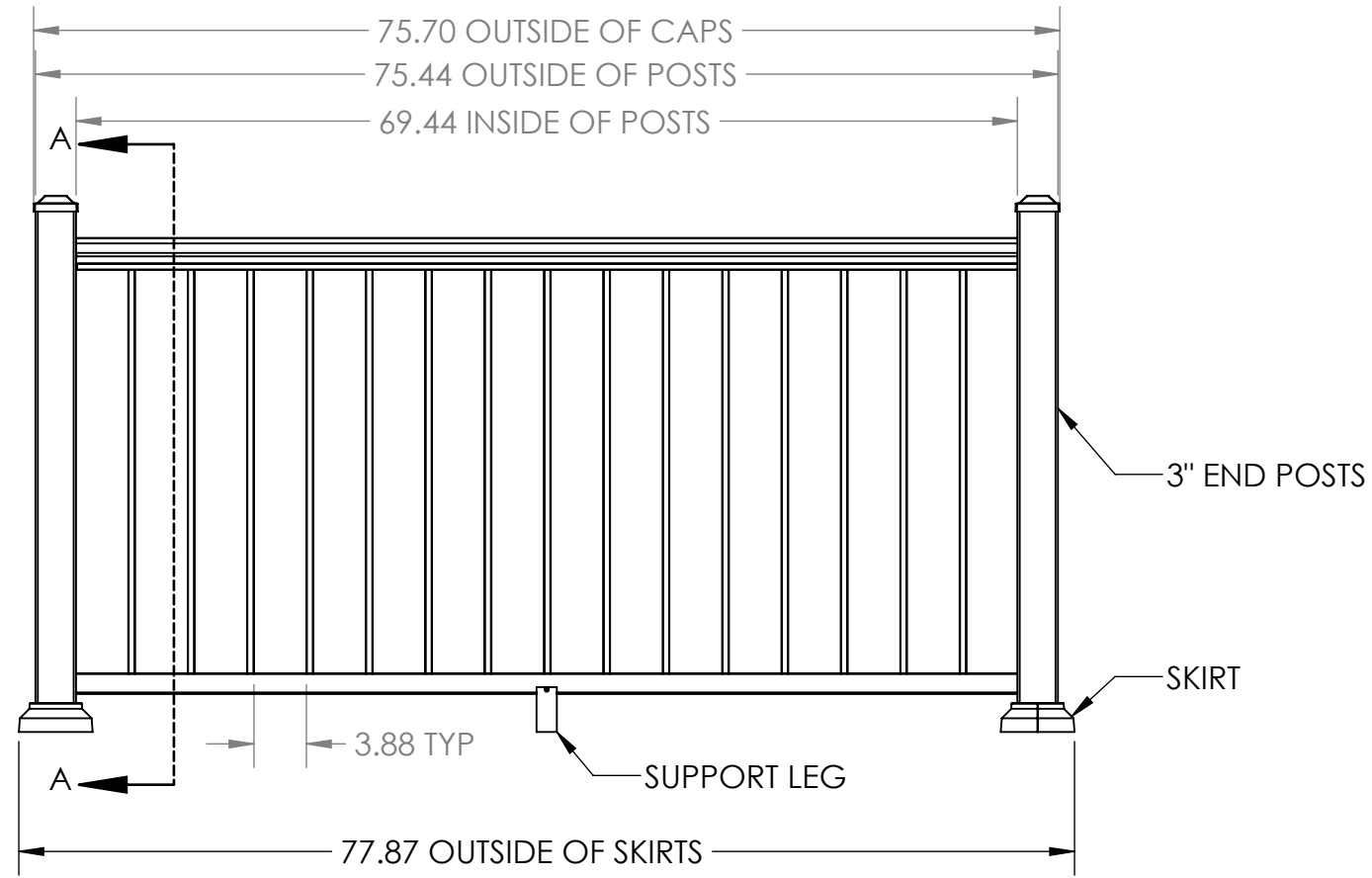
4

3

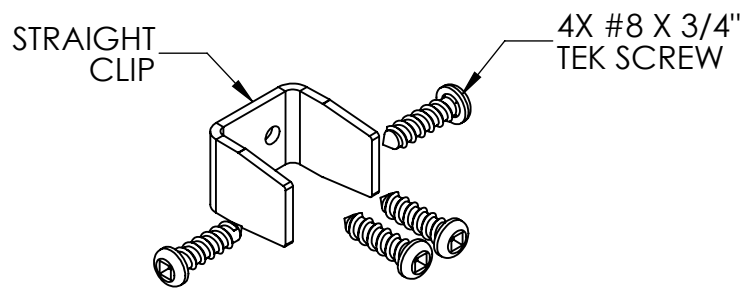
2

1

REVISIONS - BALLOONS DENOTE CHANGES			
REV.	DESCRIPTION	DATE	APPROVED
A		8/8/2017	ZAG



SECTION A-A



4X CLIP DETAIL

NOTES:
 1. ALL RAIL MUST BE ASSEMBLED AND FASTENED IN ACCORDANCE WITH ULTRALOX'S INSTALLATION INSTRUCTIONS.
 2. AVAILABLE COLORS ARE BLACK - WHITE - BRONZE.

UNLESS OTHERWISE SPECIFIED:		NAME	DATE	
DIMENSIONS ARE IN INCHES		DRAWN	ZAG	
TOLERANCES:		CHECKED		TITLE: SHOP DRAWING, COLONIAL TOP RAIL, 3" END POSTS, 36" PICKETS, 6' SECTION
SURFACE FINISH: 125 RMS		ENG APPR.		
ANGULAR: ±.5 DEG		MFG APPR.		
LINEAR: .X ±.02		INTERPRET GEOMETRIC TOLERANCING PER: ASME Y14.5-2009		SIZE DWG. NO. REV B A
.XX ±.010		PROPRIETARY AND CONFIDENTIAL THE INFORMATION CONTAINED IN THIS DRAWING IS THE SOLE PROPERTY OF UltraLox. ANY REPRODUCTION IN PART OR AS A WHOLE WITHOUT THE WRITTEN PERMISSION OF UltraLox.		
.XXX ±.005		DO NOT SCALE DRAWING		SCALE: 1:10 WEIGHT: SHEET 1 OF 1

4

3

2

1