

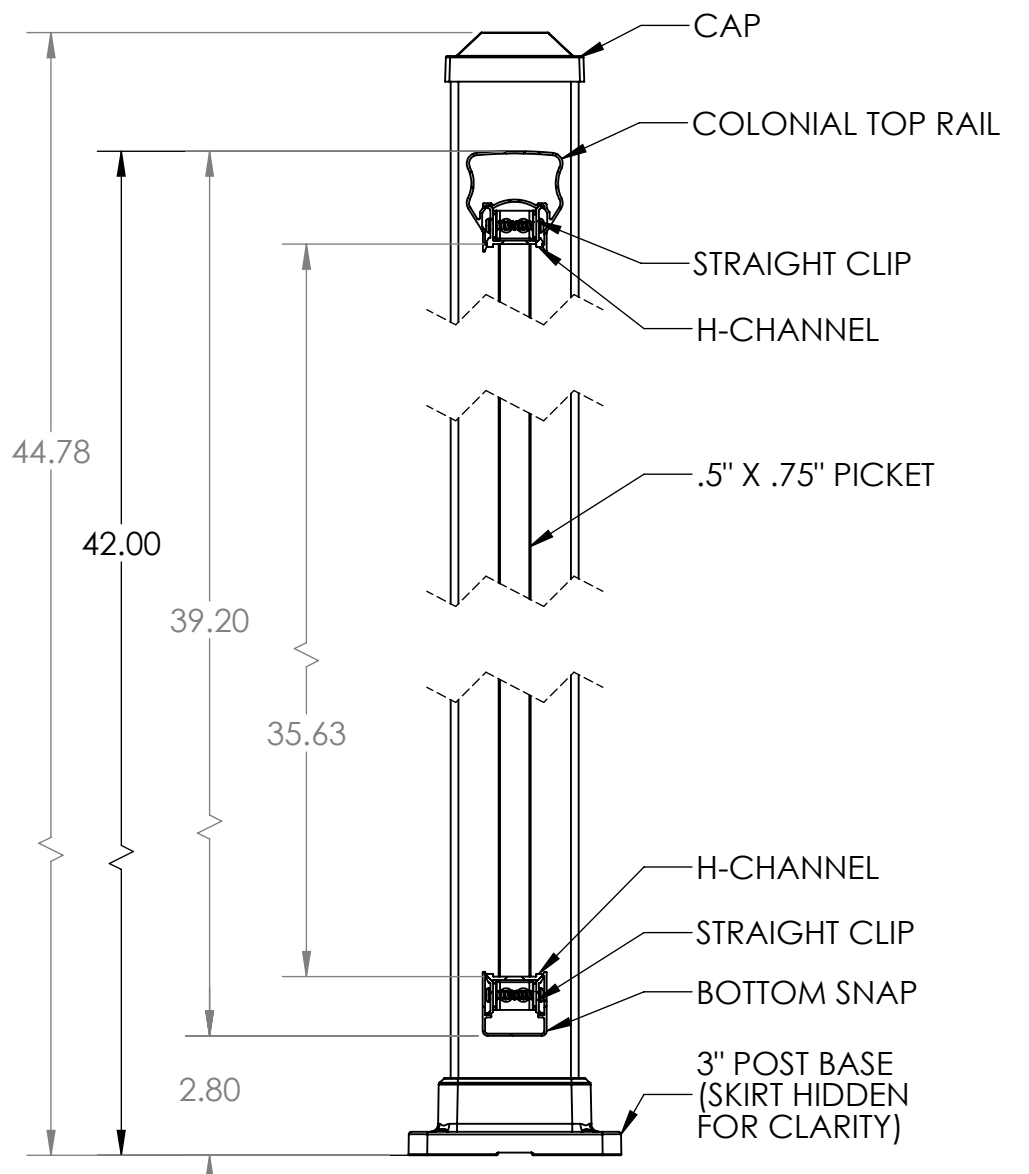
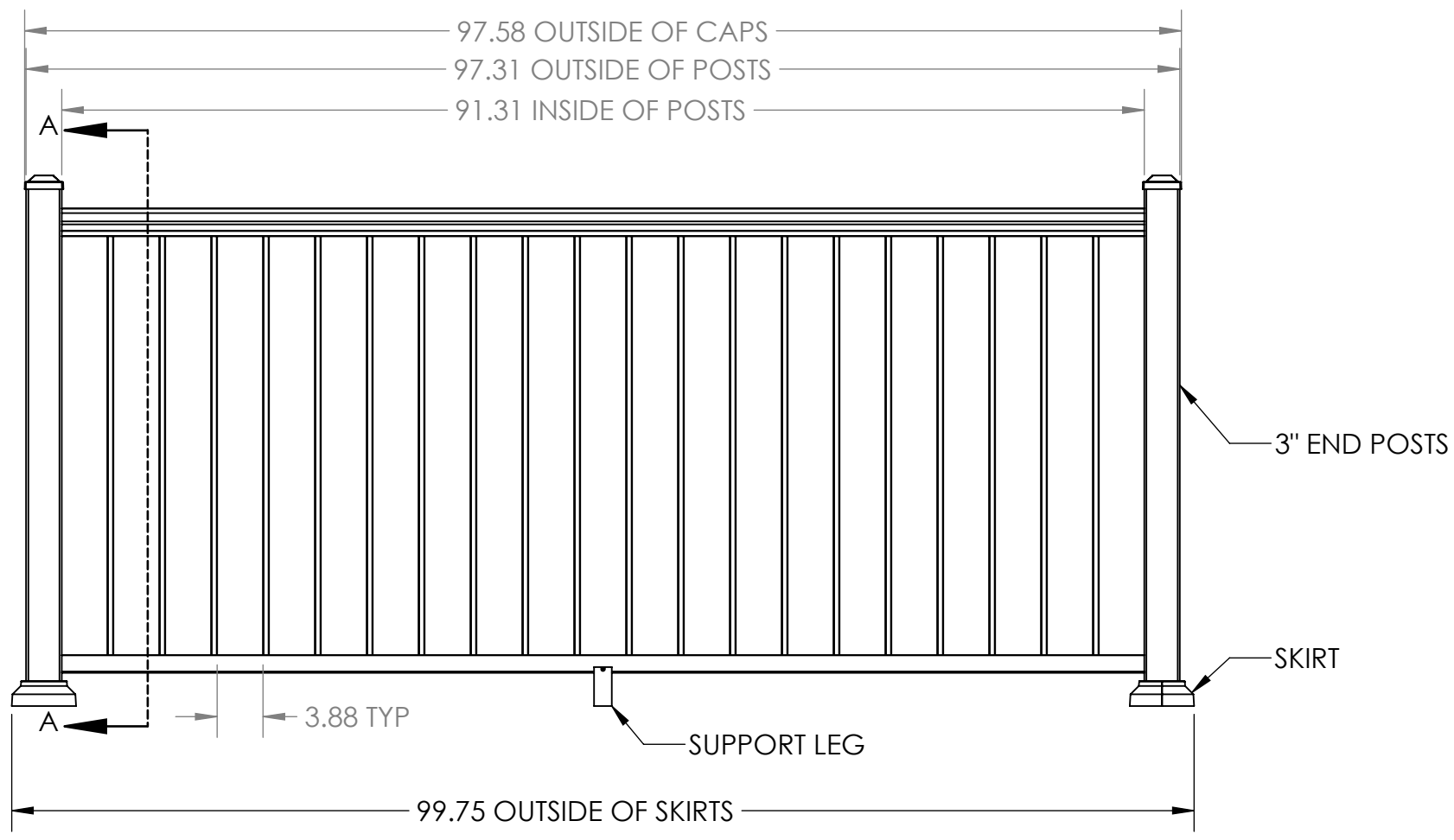
4

3

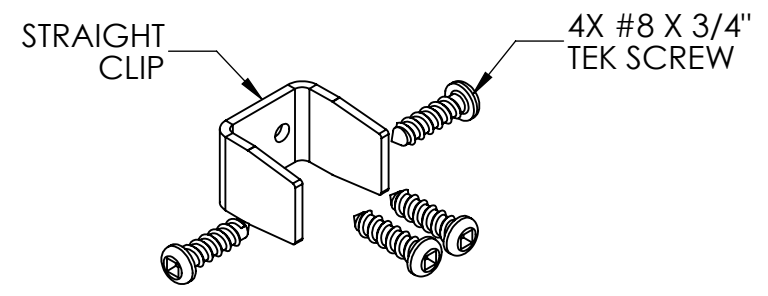
2

1

| REVISIONS - BALLOONS DENOTE CHANGES | | | |
|-------------------------------------|-------------|----------|----------|
| REV. | DESCRIPTION | DATE | APPROVED |
| A | | 8/8/2017 | ZAG |



SECTION A-A



4X CLIP DETAIL

NOTES:
 1. ALL RAIL MUST BE ASSEMBLED AND FASTENED IN ACCORDANCE WITH ULTRALOX'S INSTALLATION INSTRUCTIONS.
 2. AVAILABLE COLORS ARE BLACK - WHITE - BRONZE.

| | | | |
|-----------------------------|--|--|------------|
| UNLESS OTHERWISE SPECIFIED: | | NAME | DATE |
| DIMENSIONS ARE IN INCHES | | DRAWN | ZAG 8/8/17 |
| TOLERANCES: | | CHECKED | |
| SURFACE FINISH: 125 RMS | | ENG APPR. | |
| ANGULAR: ±.5 DEG | | MFG APPR. | |
| LINEAR: .X ±.02 | | INTERPRET GEOMETRIC TOLERANCING PER: ASME Y14.5-2009 | |
| .XX ±.010 | | MATERIAL | |
| .XXX ±.005 | | FINISH | |
| THIRD ANGLE PROJECTION: | | DO NOT SCALE DRAWING | |

ULTRALOX™

TITLE: SHOP DRAWING, COLONIAL TOP RAIL, 3" END POSTS, 42" PICKETS, 8' SECTION

SIZE DWG. NO. REV

B **A**

SCALE: 1:10 WEIGHT: SHEET 1 OF 1

4

3

2

1