

# PICKET PANEL OVERVIEW

(36IN HIGH SYSTEM SHOWN)



36IN H X 6FT W  
BALUSTER DECK  
PANEL KIT (ACTUAL  
LENGTH = 69.43IN)

WALL MOUNT KIT

BALUSTER GATE KIT

36IN H X 3IN W  
POST KIT ON  
DECK  
SURFACES

ENSURE PROPER  
BLOCKING (ALL POSTS)

**POST-TO-SURFACE MOUNTING  
SCREWS:**

RESIDENTIAL DECKS – GRK® RSS™  
5/16" X 6" GRADE C YELLOW  
ZINC WASHER HEAD STRUCTURAL  
SCREW

RESIDENTIAL CONCRETE –  
TAPCON® 5/16" X 3" HEX WASHER  
HEAD CONCRETE ANCHOR

36IN H X 6FT BALUSTER  
STAIR PANEL KIT  
(ACTUAL LENGTH =  
69.43IN)

**42IN STAIR POST KIT**  
(USE 42IN POST KITS FOR  
ON ALL STAIRS FOR 36IN  
H SYSTEM)

DECK PANEL OR  
STAIR PANEL  
ATTACH KITS ARE  
REQUIRED WHEN  
PANELS ARE CUT  
AND USED AS  
TWO PIECES.

**IMPORTANT:**  
45° CORNER  
POSTS MUST  
BISECT CORNER  
AND USE 22.5°  
PANEL ATTACH KIT

3IN POST KITS  
INCLUDE CAP,  
PRE-MOUNTED  
BASE AND  
BASE PLATE  
COVER

Prior to construction, check with your local regulatory agency for special code requirements in your area. Common railing height is 36in H or 42in H. Never span posts more than 8ft on center for picket railing systems. Always ensure there is proper blocking under each post as per diagram above and as per installation instructions. Read installation instructions and view installation videos to get a complete understanding of how the Williams products assemble.

FIND INSTALLATION INSTRUCTIONS  
AND INSTALLATION VIDEOS AT  
**WILLIAMSRAILING.COM**



**IMPORTANT NOTES:**

- Actual picket panel sizes: 6ft W Panels = 69.43in; 8ft W Panels = 91.31in.
- 3in posts are required to reach 6ft & 8ft lengths.
- MAXIMUM POST SPANS ON STAIR RAILING APPLICATIONS IS 70in ON CENTER.
- Stair railing panels are shipped at a 37° angle. Panels are adjustable and will accommodate 30-40° stair angles. **CAUTION:** Over adjusting stair panels will cause loose and rattling pickets.
- 42in H post kits are required for middle and bottom stair posts when installing a 36in H railing system.
- 48in H post kits are required for middle and bottom stair posts when installing a 42in H railing system.
- 45° deck angles require 22.5° clips applied to each side of the post. The 22.5° clip kit is sold **SEPARATELY**.
- Two 3in posts are recommended on top of deck surface if stair riser is not at a 90° angle from deck frame.

# PICKET PANEL PLANNER

WHAT YOU WILL NEED	QTY	BLACK	WHITE	BRONZE
<b>PRE-ASSEMBLED ALUMINUM PICKET PANELS</b>				
36in H x 6ft W Picket Panel (actual length 69.43in)		1717800 S	1717804 D	1717803 S
36in H x 8ft W Picket (actual length 91.31in)		1717806 D	1717810 D	1717809 D
42in H x 6ft W Picket Panel (actual length 69.43in) (for 42in H system, not shown in diagram)		1717891 M	1717893 M	1717895 M
42in H x 8ft W Picket Panel (actual length 91.31in) (for 42in H system, not shown in diagram)		CP262408B M	CP262408W M	CP262408Z M
42in H x 71.8in W Commercial Picket Panel Actual length is 68.8in. Use 3in posts to reach 71.8in on-center lengths. (3/4in x 3/4in pickets, Metro top rail, not shown in diagram.)		RC462406B M	RC462406W M	RC462406Z M
<b>PREASSEMBLED ALUMINUM STAIR PANELS</b>				
36in H x 6ft W Stair Panel (actual length 69.43in)		1717812 S	1717816 D	1717815 S
36in H x 8ft W Stair Panel (actual length 91.31in)		1717813 M	1717817 M	1717814 M
42in H x 6ft W Stair Panel (actual length 69.43in)		1717903 M	1717905 M	1717907 M
42in H x 71.8in W Commercial Stair Picket Panel Actual length is 68.8in. Use 3in posts to reach 71.8in on-center lengths. (3/4in x 3/4in pickets, Metro top rail, not shown in diagram.)		RC452406B M	RC452406W M	RC452406Z M
<b>ALUMINUM POST KITS</b> Include: assembled post and base plate, post cap and post base plate vinyl skirt.				
36in H x 3in W Aluminum Post Kit (actual length 38.25in)		1717819 S	1717823 D	1717822 S
42in H x 3in W Aluminum Post Kit (actual length 43.5in)		1717824 S	1717829 D	1717828 S
48in H x 3in W Aluminum Post Kit (actual length 48in)		1717916 M	1717917 M	1717915 M
<b>ADDITIONAL KITS</b>				
Straight Wall Mount Kit		1717851 S	1717852 D	1717848 S
Jig/Touch-up Paint		1717864 S	1717866 D	1717862 S
Jig/Touch-up Paint - Piano/Tuxedo		P/N: JK09700PT S		
36in H x 38in W Gate Kit (Adjustable, for openings up to 39in wide)		1717854 D	1717858 D	1717857 D
36in H x 48in W Gate Kit (Adjustable, for openings up to 49in wide)		WG07518B M	WG07518W M	WG07518Z M
42in H x 38in W Gate Kit (Adjustable, for openings up to 39in wide)		WG07516B M	WG07516W M	WG07516Z M
42in H x 48in W Gate Kit (Adjustable, for openings up to 49in wide)		WG07520B M	WG07520W M	WG07520Z M
Deck Panel Attach Kit		1717836 S		
22.5° Panel Attach Kit		1717839 D		
45° Wall Mount Kit		1717842 D		
Stair Panel Attach Kit		1717845 S		
<b>HARDWARE</b>				
GRK® RSS™ 5/16in x 6in Grade C Yellow Zinc Washer Head Structural Screw		SKU: 2300203 S		
Tapcon® 5/16in x 3in Hex Washer Head Concrete Anchors		SKU: 2327302 S		

S=Stocked in Stores D=Menards Distribution Center M=Special Order

## HELPFUL ORDERING INFORMATION:

- Picket section kits include attachment clips and screws. If panels are cut and two pieces are used for installation, a Deck Panel Attach Kit must be purchased.
- Anchors and fasteners to secure posts to concrete or wood are **NOT INCLUDED** in kits.
- Maximum post spacing on deck for picket railing is 8ft on center.

**Use part number listed under desired color identifier:**

B=Black, W=White, Z=Bronze

## ACCESSORIES:



Gate Kits and Hardware



Lighting Options



ADA Handrail Kits

Many Picket Panel and Gate Kits are also available in Piano Rail® and Tuxedo Rail® color schemes. See Product Ordering Guide.

# TOOLS RECOMMENDED FOR INSTALLATION



Cordless Drill  
(hammer drill for concrete)



Level



Tape Measure and Pencil



Safety Glasses



Bar Clamps



Miter Saw  
(with nonferrous blade)



84-Tooth Nonferrous Blade



3/16in Drill Bit



3/16in Masonry Drill Bit  
(concrete applications)



5/16in and 5/8in Drill Bits  
(for LED Lighting application)



6in #2 Square Drive Bit

# RECOMMENDED POST-TO-SURFACE HARDWARE

## WOOD OR COMPOSITE DECKING

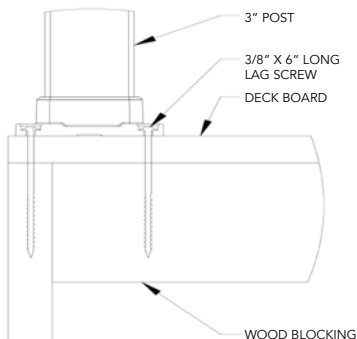


### GRK® RSS™ 5/16in x 6in Grade C Yellow Zinc Washer Head Structural Screw

Residential applications only.  
Available at Menards.

SKU: 2300203

Stocked in stores.



## CONCRETE APPLICATIONS



### Tapcon® 5/16in x 3in Hex Washer Head Concrete Anchor

Residential applications only.  
Available at Menards.

SKU: 2327302

Stocked in stores.

