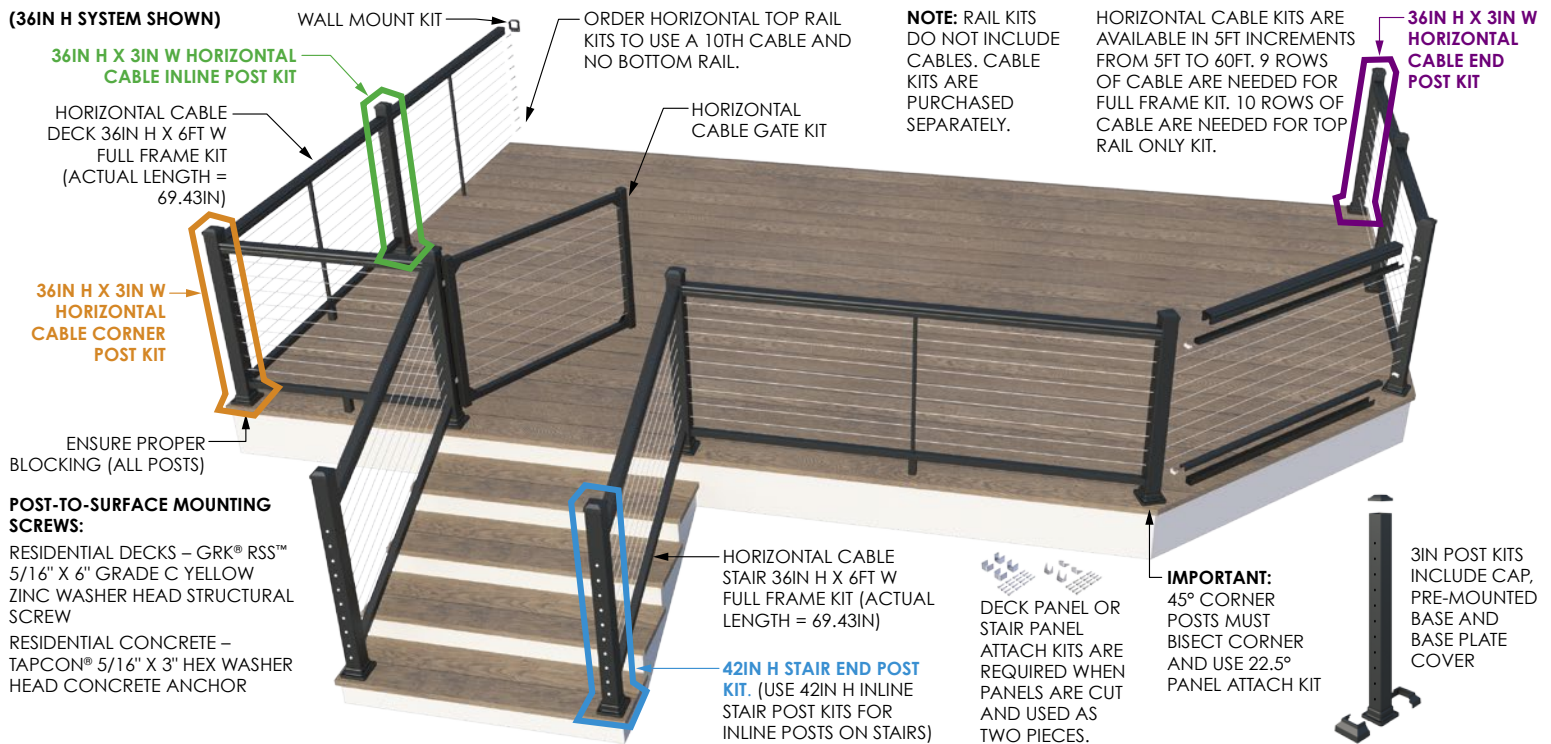


HORIZONTAL CABLE RAILING OVERVIEW



NOTE:
HORIZONTAL FULL FRAME / HORIZONTAL TOP RAIL KITS DO NOT INCLUDE CABLE. CABLE KITS ARE PURCHASED SEPARATELY.



Prior to construction, check with your local regulatory agency for special code requirements in your area. Common railing height is 36in or 42in. Never span posts more than 8ft on center for cable railing systems. Always ensure there is proper blocking under each post as per diagram above and as per installation instructions. Read installation instructions and view installation videos to get a complete understanding of how the Williams products assemble.



- IMPORTANT NOTES:**
- Actual cable panel sizes: 6ft Panels = 69.43in; 8ft Panels = 91.31in.
 - 3in posts are required to reach 6ft & 8ft lengths.
 - Cable stair railing panels will accommodate 30-40° stair angles.
 - 42in H post kits are required for middle and bottom stair posts when installing a 36in H railing system.
 - 48in post kits are required for middle and bottom stair posts when installing a 42in H railing system.
 - 45° deck angles require 22.5° clips applied to each side of the post. The 22.5° clip kit is sold **SEPARATELY**.
 - Two 3in posts are recommended on top of deck surface if stair riser is not at a 90° angle from deck frame.

- HELPFUL ORDERING INFORMATION:**
1. Cable frame kits include attachment clips and screws. If panels are cut and two pieces are used for installation, a Deck Panel Attach Kit must be purchased.
 2. Anchors and fasteners to secure posts to concrete or wood are **NOT INCLUDED** in kits.
 3. Maximum post spacing on deck for horizontal cable railing is 8ft on center.

HORIZONTAL CABLE RAILING PLANNER

WHAT YOU WILL NEED	QTY	BLACK	WHITE	BRONZE
HORIZONTAL CABLE FRAME KITS Use for both level and stair applications. Actual lengths: 6ft kits = 69.43in; 8ft kits = 91.31in. 3in posts are required to reach 6ft and 8ft lengths. Cable Kits and Posts Sold Separately.		MENARDS SKUS		
36in H x 6ft W Horizontal Cable Deck/Stair Full Frame Kit		1717934 _D	1717935 _D	1717936 _D
36in H x 8ft W Horizontal Cable Deck/Stair Full Frame Kit		1717937 _D	1717938 _D	1717939 _D
36in H x 6ft W Horizontal Cable Deck/Stair Top Rail Kit		1717966 _D	1717967 _D	1717968 _D
36in H x 8ft W Horizontal Cable Deck/Stair Top Rail Kit		1717969 _D	1717970 _D	1717971 _D
HORIZONTAL CABLE POST KITS				
36in H x 3in W Cable End Post Kit		1717940 _D	1717941 _D	1717942 _D
36in H x 3in W Cable Inline Post Kit		1717946 _D	1717947 _D	1717948 _D
3in H x 3in W Cable 90° Corner Post Kit		1717952 _D	1717953 _D	1717954 _D
42in H x 3in W Cable End Stair Post Kit		1717963 _D	1717964 _D	1717965 _D
42in H x 3in W Cable Inline Stair Post Kit (Not shown in diagram)		1717949 _D	1717950 _D	1717951 _D
STAINLESS STEEL CABLE KITS				
5ft Cable Kit			1717924 _D	
10ft Cable Kit			1717925 _D	
15ft Cable Kit			1717926 _D	
20ft Cable Kit			1717927 _D	
25ft Cable Kit			1717928 _D	
30ft Cable Kit			1717929 _D	
35ft Cable Kit			1717930 _D	
40ft Cable Kit			1717931 _D	
45ft Cable Kit			1717932 _D	
50ft Cable Kit			1717933 _D	
55ft Cable Kit			1717972 _D	
60ft Cable Kit			1717973 _D	
ADDITIONAL KITS AND TOOLS				
Jig/Touch-up Paint		1717864 _D	1717866 _D	1717862 _S
Gate Kit (adjustable up to 40in wide)		1717854 _D	1717858 _D	1717857 _D
Deck Panel Attach Kit			1717836 _S	
22.5° Panel Attach Kit <small>Use on 45° deck angles</small>			1717839 _D	
Stair Panel Attach Kit			1717845 _S	
Stainless Steel Cable Cutter			1717965 _D	
Horizontal Cable Tool Kit (Includes: Cable Threading Tool, 90° Cable Threading Tool, Cable Release Tool and Cable Cutter)			VC481300K _D	
HARDWARE				
GRK® RSS™ 5/16in x 6in Grade C Yellow Zinc Washer Head Structural Screw			2300203 _S	
Tapcon® 5/16in x 3in Hex Washer Head Concrete Anchors			2327302 _S	

S=Stocked in Stores D=Menards Distribution Center M=Special Order from Manufacturer

TOOLS RECOMMENDED FOR INSTALLATION



Cordless Drill
(hammer drill for concrete)



Level



Tape Measure and Pencil



Safety Glasses



Bar Clamps



Miter Saw
(with nonferrous blade)



84-Tooth Nonferrous
Blade



3/16in Drill Bit
3/16in Masonry Drill Bit
(concrete applications)
5/16in and 5/8in Drill Bits
(for LED Lighting application)



6in #2 Square Drive Bit



Horizontal Cable
Tool Kit



Cable Gripper Tool



Stainless Steel Cable
Cutter

RECOMMENDED POST-TO-SURFACE HARDWARE

WOOD OR COMPOSITE DECKING

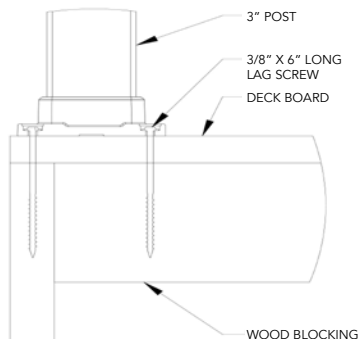


GRK® RSS™ 5/16in x 6in Grade C Yellow Zinc Washer Head Structural Screw

Residential applications only.
Available at Menards.

SKU: 2300203

Stocked in stores.



CONCRETE APPLICATIONS

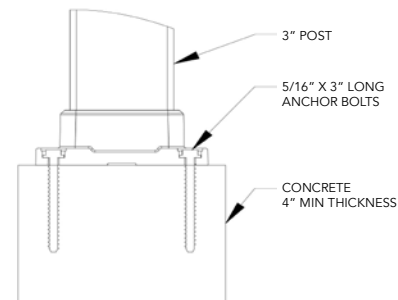


Tapcon® 5/16in x 3in Hex Washer Head Concrete Anchor

Residential applications only.
Available at Menards.

SKU: 2327302

Stocked in stores.



S=Stocked in Stores; D=Menards Distribution Center; M=Special Order from Manufacturer