

HORIZONTAL CABLE RAILING OVERVIEW

(36IN HIGH SYSTEM SHOWN)

36IN H X 3IN W HORIZONTAL CABLE INLINE POST KIT

HORIZONTAL CABLE DECK 36IN H X 6FT W FULL FRAME KIT (ACTUAL LENGTH = 69.43IN)

36IN H X 3IN W HORIZONTAL CABLE CORNER POST KIT

ENSURE PROPER BLOCKING (ALL POSTS)

POST-TO-SURFACE MOUNTING SCREWS:

RESIDENTIAL DECKS – GRK® RSS™ 5/16" X 6" GRADE C YELLOW ZINC WASHER HEAD STRUCTURAL SCREW

RESIDENTIAL CONCRETE – TAPCON® 5/16" X 3" HEX WASHER HEAD CONCRETE ANCHOR

ORDER HORIZONTAL TOP RAIL KITS TO USE A 10TH CABLE AND NO BOTTOM RAIL.

HORIZONTAL CABLE GATE KIT

NOTE: RAIL KITS DO NOT INCLUDE CABLES. CABLE KITS ARE PURCHASED SEPARATELY.

HORIZONTAL CABLE KITS ARE AVAILABLE IN 5FT INCREMENTS FROM 5FT TO 60FT. 9 ROWS OF CABLE ARE NEEDED FOR FULL FRAME KIT. 10 ROWS OF CABLE ARE NEEDED FOR TOP RAIL ONLY KIT.

36IN H X 3IN W HORIZONTAL CABLE END POST KIT

HORIZONTAL CABLE STAIR 36IN H X 6FT W FULL FRAME KIT (ACTUAL LENGTH = 69.43IN)

42IN STAIR END POST KIT (USE 42IN INLINE STAIR POST KITS FOR INLINE POSTS ON STAIRS)

DECK PANEL OR STAIR PANEL ATTACH KITS ARE REQUIRED WHEN PANELS ARE CUT AND USED AS TWO PIECES.

IMPORTANT: 45° CORNER POSTS MUST BISECT CORNER AND USE 22.5° PANEL ATTACH KIT

3IN POST KITS INCLUDE CAP, PRE-MOUNTED BASE AND BASE PLATE COVER

NOTE: HORIZONTAL FULL FRAME / HORIZONTAL TOP RAIL KITS DO NOT INCLUDE CABLE. CABLE KITS ARE PURCHASED SEPARATELY.



Prior to construction, check with your local regulatory agency for special code requirements in your area. Common railing height is 36in or 42in. Never span posts more than 8ft on center for cable railing systems. Always ensure there is proper blocking under each post as per diagram above and as per installation instructions. Read installation instructions and view installation videos to get a complete understanding of how the Williams products assemble.



IMPORTANT NOTES:

- Actual cable panel sizes: 6ft Panels = 69.43in; 8ft Panels = 91.31in.
- 3in posts are required to reach 6ft & 8ft lengths.
- Cable stair railing panels will accommodate 30-40° stair angles.
- 42in H post kits are required for middle and bottom stair posts when installing a 36in H railing system.
- 48in post kits are required for middle and bottom stair posts when installing a 42in H railing system.
- 45° deck angles require 22.5° clips applied to each side of the post. The 22.5° clip kit is sold **SEPARATELY**.
- Two 3in posts are recommended on top of deck surface if stair riser is not at a 90° angle from deck frame.

HELPFUL ORDERING INFORMATION:

1. Cable frame kits include attachment clips and screws. If panels are cut and two pieces are used for installation, a Deck Panel Attach Kit must be purchased.
2. Anchors and fasteners to secure posts to concrete or wood are **NOT INCLUDED** in kits.
3. Maximum post spacing on deck for horizontal cable railing is 8ft on center.

HORIZONTAL CABLE RAILING PLANNER

WHAT YOU WILL NEED	QTY	BLACK	WHITE	BRONZE
HORIZONTAL CABLE FRAME KITS		MENARDS SKUS OR MANUFACTURER'S PART NUMBERS		
Use for both level and stair applications. Actual lengths: 6ft kits = 69.43in; 8ft kits = 91.31in. 3in posts are required to reach 6ft and 8ft lengths. Cable Kits and Posts Sold Separately.				
36in / 42in H x 6ft W Horizontal Cable Deck Full Frame Kit		1717934	1717935	1717936
36in / 42in H x 8ft W Horizontal Cable Deck Full Frame Kit		1717937	1717938	1717939
36in / 42in H x 6ft W Horizontal Cable Stair Full Frame Kit		1717974	1717976	1717978
36in / 42in H x 8ft W Horizontal Cable Stair Full Frame Kit		1717975	1717977	1717979
36in / 42in H x 6ft W Horizontal Cable Deck Top Rail Kit		1717966	1717967	1717968
36in / 42in H x 8ft W Horizontal Cable Deck Top Rail Kit		1717969	1717970	1717971
36in / 42in H x 6ft W Horizontal Cable Stair Top Rail Kit		1717980	1717982	1717984
36in / 42in H x 8ft W Horizontal Cable Stair Top Rail Kit		1717981	1717983	1717985
HORIZONTAL CABLE POST KITS				
36in H x 3in W Cable End Post Kit		1717940	1717941	1717942
36in H x 3in W Cable Inline Post Kit		1717946	1717947	1717948
3in H x 3in W Cable 90° Corner Post Kit		1717952	1717953	1717954
42in H x 3in W Cable End Stair Post Kit		1717963	1717964	1717965
42in H x 3in W Cable Inline Stair Post Kit (Not shown in diagram)		1717949	1717950	1717951
42in H x 3in W Cable End Post Kit (42in H system, not shown)		PC441642B	PC441642W	PC441642Z
42in H x 3in W Cable inline Post Kit (42in H system, not shown)		PC441742B	PC441742W	PC441742Z
42in H x 3in W Cable 90° Corner Post Kit (42in H system, not shown)		PC441942B	PC441942W	PC441942Z
48in H x 3in W Cable End Stair Post Kit (42in H system, not shown)		PC441548B	PC441548W	PC441548Z
48in H x 3in W Cable Inline Stair Post Kit (42in H system, not shown)		PC441848B	PC441848W	PC441848Z
STAINLESS STEEL CABLE KITS				
5ft Cable Kit			1717924	
10ft Cable Kit			1717925	
15ft Cable Kit			1717926	
20ft Cable Kit			1717927	
25ft Cable Kit			1717928	
30ft Cable Kit			1717929	
35ft Cable Kit			1717930	
40ft Cable Kit			1717931	
45ft Cable Kit			1717932	
50ft Cable Kit			1717933	
55ft Cable Kit			1717972	
60ft Cable Kit			1717973	
ADDITIONAL KITS AND TOOLS				
Jig/Touch-up Paint		1717864 s	1717866	1717862 s
36in H x 49in W Horizontal Cable Gate Kit (Adjustable, for openings up to 50in wide)		CG481349B	CG481349B	CG481349B
42in H x 49in W Horizontal Cable Gate Kit (Not adjustable, for openings 50in wide)		CG481449B	CG481449B	CG481449B
Deck Panel Attach Kit			1717836	
22.5° Panel Attach Kit Use on 45° deck angles			1717839	
Stair Panel Attach Kit			1717845	
Stainless Steel Cable Cutter			1717965	
Horizontal Cable Tool Kit (Includes: Cable Threading Tool, 90° Cable Threading Tool, and Cable Release Tool)			1717986	
HARDWARE				
GRK® RSS™ 5/16in x 6in Grade C Yellow Zinc Washer Head Structural Screw			2300203 s	
Tapcon® 5/16in x 3in Hex Washer Head Concrete Anchors			2327302 s	

All Horizontal Cable Railing Products are Special Order

S=Stocked in Stores D=Menards Distribution Center M=Special Order

TOOLS RECOMMENDED FOR INSTALLATION



Cordless Drill
(hammer drill for concrete)



Level



Tape Measure and Pencil



Safety Glasses



Bar Clamps



Miter Saw
(with nonferrous blade)



84-Tooth Nonferrous Blade



3/16in Drill Bit
3/16in Masonry Drill Bit
(concrete applications)
5/16in and 5/8in Drill Bits
(for LED Lighting application)



6in #2 Square Drive Bit



Horizontal Cable Tool Kit



Cable Gripper Tool



Stainless Steel Cable Cutter

RECOMMENDED POST-TO-SURFACE HARDWARE

WOOD OR COMPOSITE DECKING

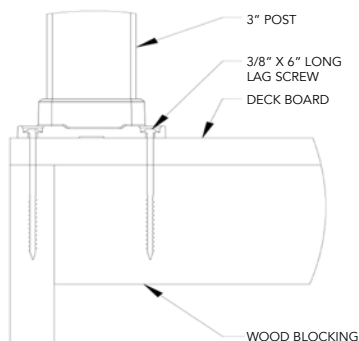


GRK® RSS™ 5/16in x 6in Grade C Yellow Zinc Washer Head Structural Screw

Residential applications only.
Available at Menards.

SKU: 2300203

Stocked in stores.



CONCRETE APPLICATIONS



Tapcon® 5/16in x 3in Hex Washer Head Concrete Anchor

Residential applications only.
Available at Menards.

SKU: 2327302

Stocked in stores.

