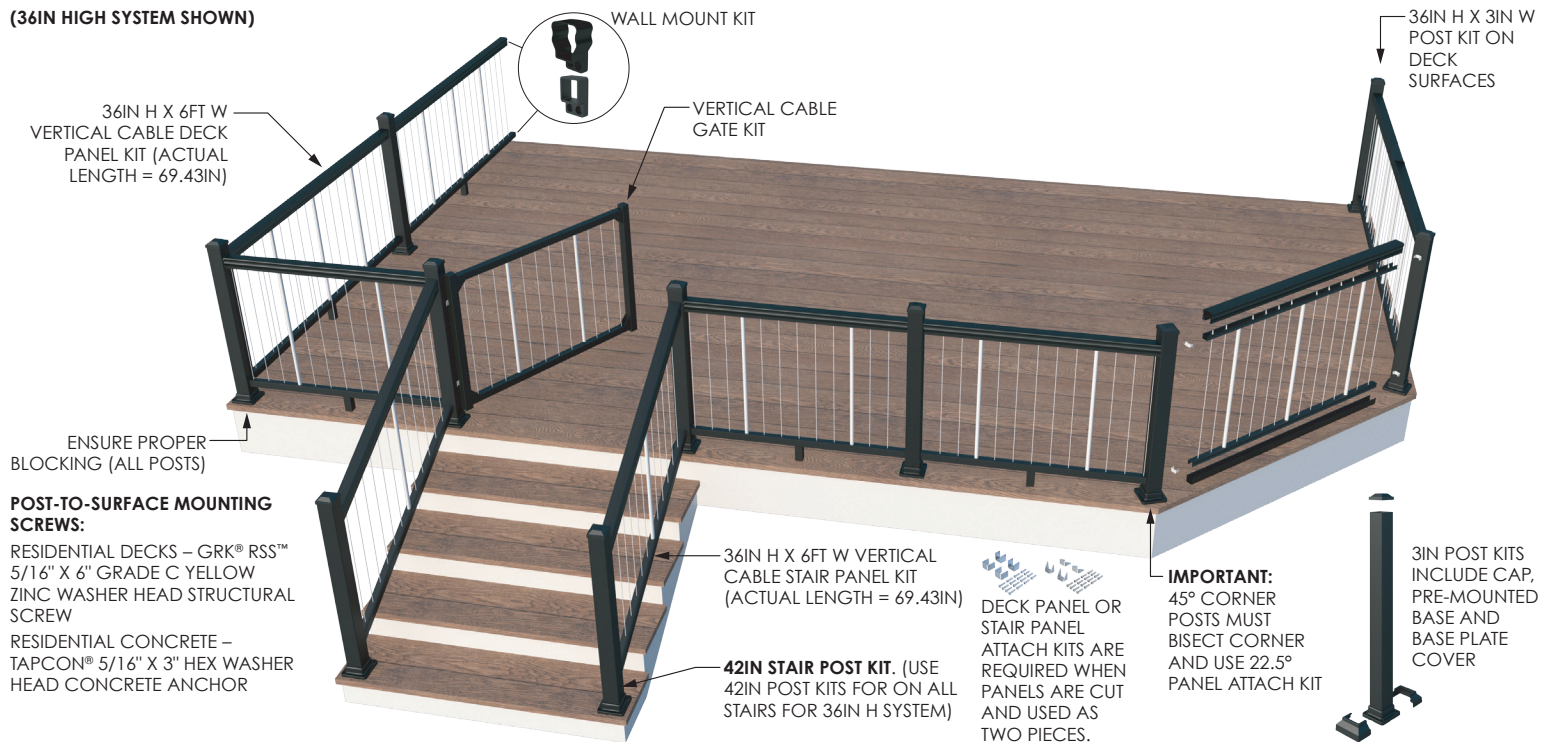


VERTICAL CABLE RAILING OVERVIEW

(36IN HIGH SYSTEM SHOWN)



Prior to construction, check with your local regulatory agency for special code requirements in your area. Common railing height is 36in or 42in. Never span posts more than 8ft on center for cable railing systems. Always ensure there is proper blocking under each post as per diagram above and as per installation instructions. Read installation instructions and view installation videos to get a complete understanding of how the Williams products assemble.

ACCESSORIES:



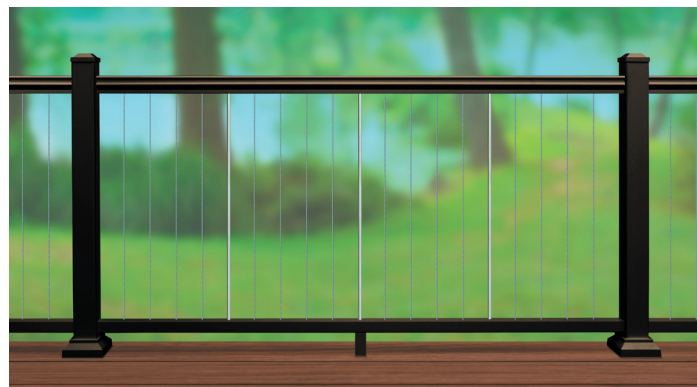
Gate Kits and Hardware



Lighting Options



ADA Handrail Kits



VERTICAL CABLE RAILING PLANNER

WHAT YOU WILL NEED	QTY	BLACK	WHITE	BRONZE
VERTICAL CABLE PANEL KITS Kits Include: 6ft Top Rail Snap, 6ft Bottom Rail Snap, 6ft Pre-strung Vertical Stainless Steel Cable Railing Panel, 16 Tensioning Blocks, 3 Stainless Steel Support Rods, Allen Wrench, Deck or Stair Panel Attach Kit		MENARDS SKUS OR MANUFACTURER'S PART NUMBERS		
36in H x 6ft W Vertical Cable Deck Panel (Actual length is 69.43in)		1717918	1717919	1717920
36in H x 8ft W Vertical Cable Deck Panel (Actual length is 91.31in)		VC262308B	VC262308W	VC262308Z
36in H x 6ft W Vertical Cable Stair Panel (Actual length is 69.43in)		1717909	1717910	1717911
42in H x 6ft W Vertical Cable Deck Panel (Actual length is 69.43in)		VC262406B	VC262406W	VC262406Z
42in H x 8ft W Vertical Cable Deck Panel (Actual length is 91.31in)		VC262408B	VC262408W	VC262408Z
42in H x 6ft W Vertical Cable Stair Panel (Actual length is 69.43in)		VC252406B	VC252406W	VC252406Z
ALUMINUM POST KITS Include: assembled post and base plate, post cap and post base plate vinyl skirt.				
36in H x 3in W Aluminum Post Kit (actual length 38.25in)		1717819 S	1717823 M	1717822 S
42in H x 3in W Aluminum Post Kit (actual length 43.5in)		1717824 S	1717829 M	1717828 S
48in H x 3in W Aluminum Post Kit (actual length 48in)		1717916 M	1717917 M	1717915 M
ADDITIONAL KITS				
Straight Wall Mount Kit		1717851 S	1717852 D	1717848 S
Jig/Touch-up Paint		1717864 S	1717866 D	1717862 S
36in H x 49in W Vertical Cable Gate Kit (Adjustable, for openings up to 50in wide)		CG401349B	CG401349W	CG401349Z
42in H x 49in W Vertical Cable Gate Kit (Adjustable, for openings up to 50in wide)		CG401449B	CG401449W	CG401449Z
Deck Panel Attach Kit		1717836 S		
22.5° Panel Attach Kit		1717839 D		
45° Wall Mount Kit		1717842 D		
Stair Panel Attach Kit		1717845 S		
Stainless Steel Cable Cutter		1717965 D		
HARDWARE				
GRK® RSS™ 5/16in x 6in Grade C Yellow Zinc Washer Head Structural Screw		2300203 S		
Tapcon® 5/16in x 3in Hex Washer Head Concrete Anchors		2327302 S		

S=Stocked in Stores D=Menards Distribution Center M=Special Order

HELPFUL ORDERING INFORMATION:

- Cable frame kits include attachment clips and screws. If panels are cut and two pieces are used for installation, a Deck Panel Attach Kit must be purchased.
- Anchors and fasteners to secure posts to concrete or wood are **NOT INCLUDED** in kits.
- Maximum post spacing on deck for horizontal cable railing is 8ft on center.

IMPORTANT NOTES:

- Actual panel sizes: 6ft Panels = 69.43in, 8ft panels = 91.31in.
- 3in posts are required to reach 6ft and 8ft lengths.
- Cable stair railing panels will accommodate 30-40° stair angles.
- 42in H post kits are required for middle and bottom stair posts when installing a 36in H railing system.
- 48in H post kits are required for middle and bottom stair posts when installing a 42in H railing system.
- 45° deck angles require 22.5° clips applied to each side of the post. The 22.5° clip kit is sold **SEPARATELY**.
- Two 3in posts are recommended on top of deck surface if stair riser is not at a 90° angle from deck frame.

All Vertical Cable Railing Products are Special Order

TOOLS RECOMMENDED FOR INSTALLATION



Cordless Drill
(hammer drill for concrete)



Level



Tape Measure and Pencil



Safety Glasses



Bar Clamps



Miter Saw
(with nonferrous blade)



84-Tooth Nonferrous Blade



3/16in Drill Bit



3/16in Masonry Drill Bit
(concrete applications)



5/16in and 5/8in Drill Bits
(for LED Lighting application)



6in #2 Square Drive Bit

RECOMMENDED POST-TO-SURFACE HARDWARE

WOOD OR COMPOSITE DECKING

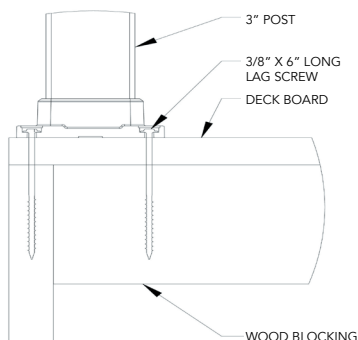


GRK® RSS™ 5/16in x 6in Grade C Yellow Zinc Washer Head Structural Screw

Residential applications only.
Available at Menards.

SKU: 2300203

Stocked in stores.



CONCRETE APPLICATIONS



Tapcon® 5/16in x 3in Hex Washer Head Concrete Anchor

Residential applications only.
Available at Menards.

SKU: 2327302

Stocked in stores.

