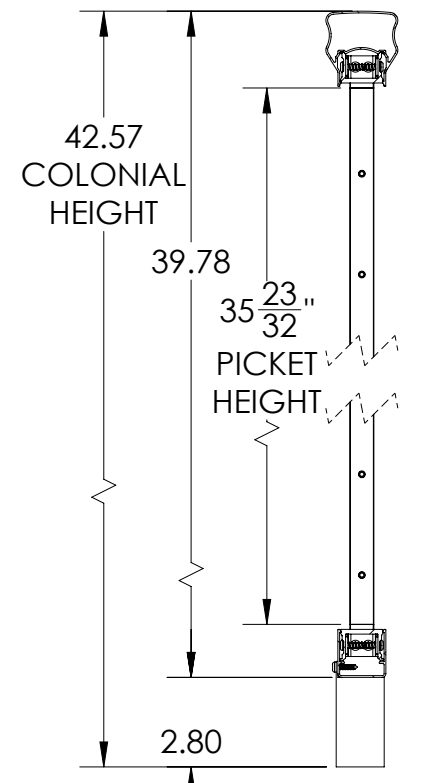
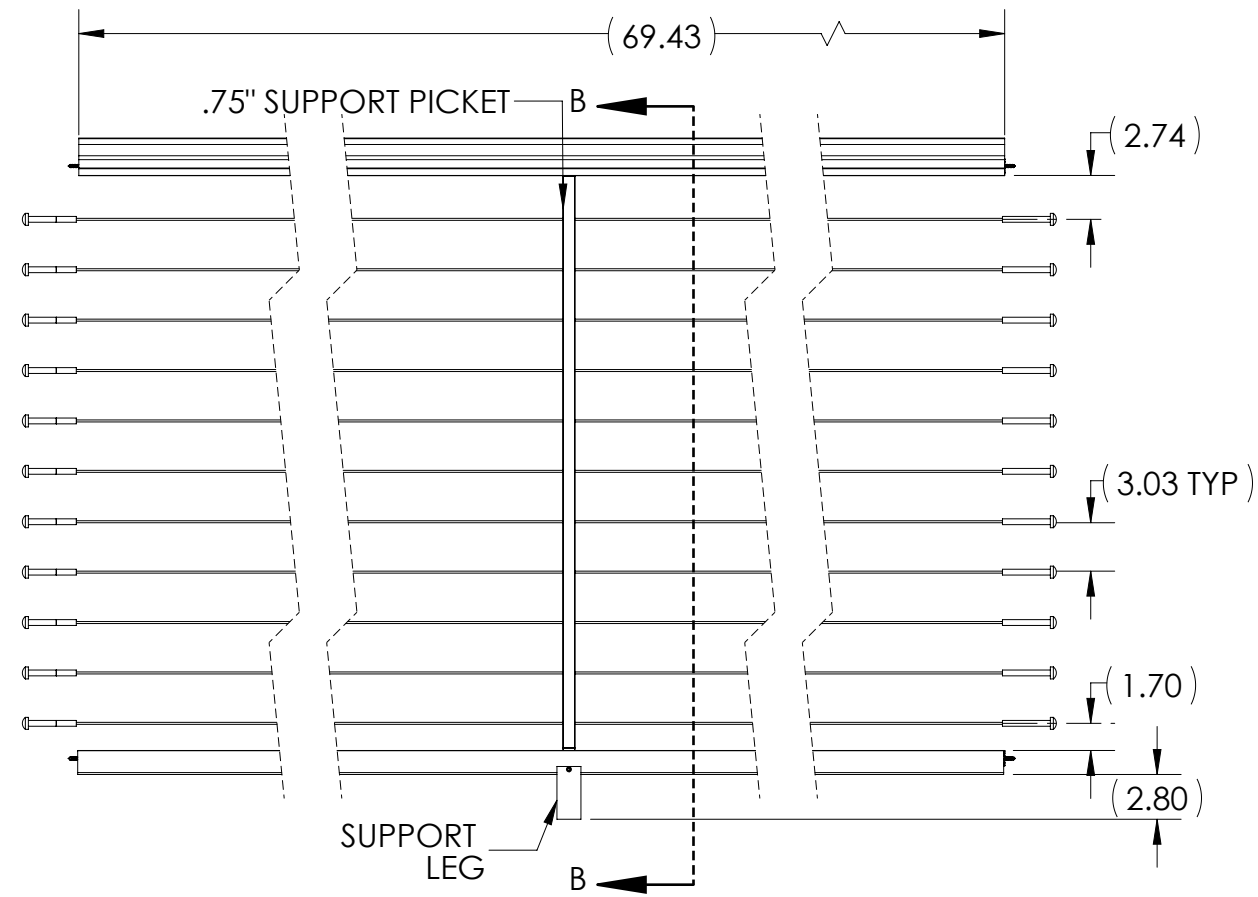
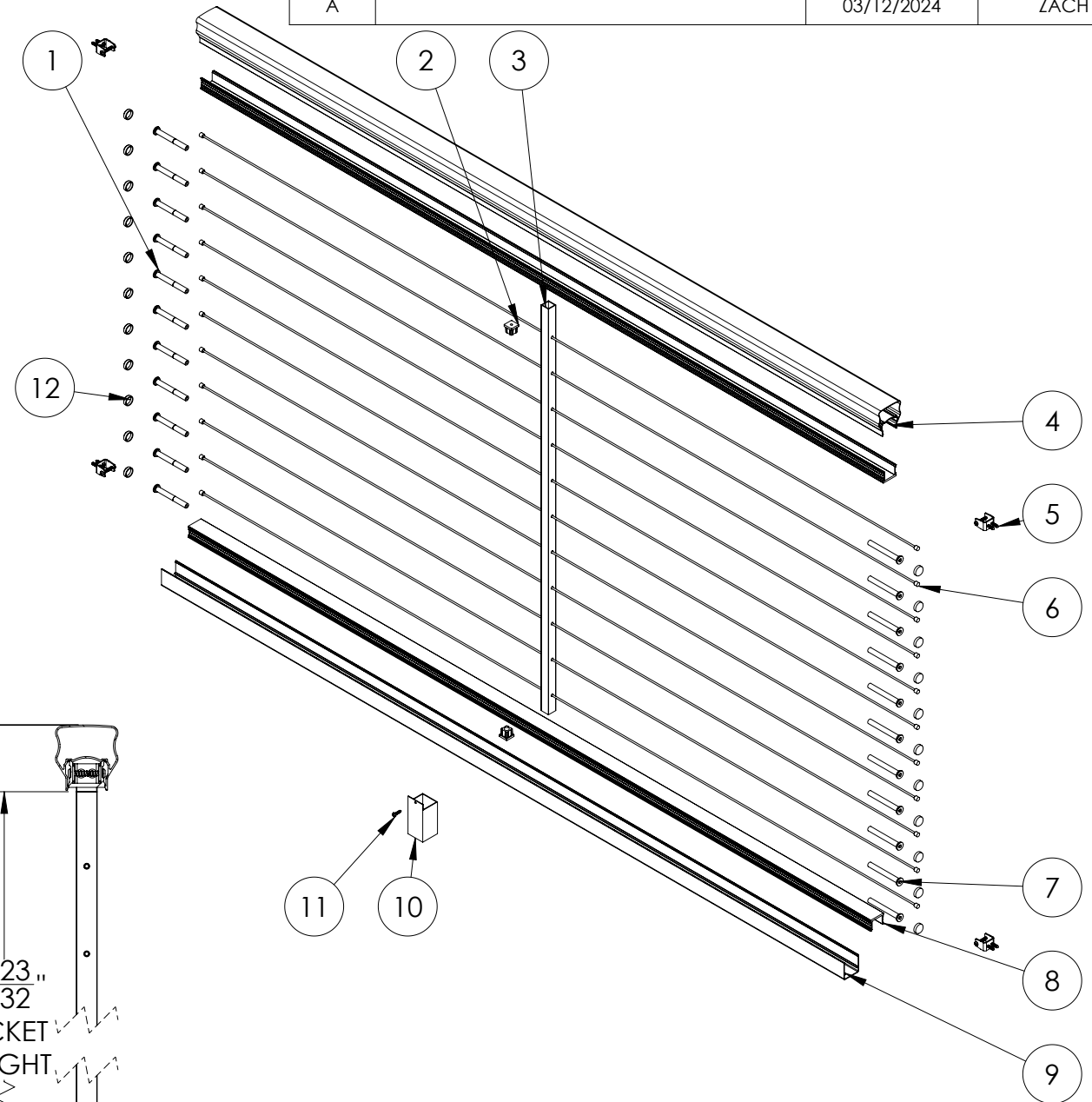


ITEM NO.	PART NUMBER	DESCRIPTION	QTY.
1	CR004001	1/8" T-316 CABLE RECEIVER	11
2	CR004301	DECK PICKET PLUG	2
3	NP063500	HORIZONTAL CABLE PICKET	1
4	CT293106	COLONIAL TOP RAIL 6FT	1
5	CL09410	STRAIGHT CLIP	4
6	CR004100	STAINLESS STEEL CABLE	11
7	CR004002	1/8" T-316 THREADED STUD RECEIVER	11
8	NC063100	H-CHANNEL DECK	2
9	SH093106	BOTTOM SNAP 6FT	1
10	SL09402	SUPPORT LEG	1
11	ST09934	#8 X .75" TEK SCREW COLOR CODED	1
12	CR025001	T-316 BRIGHT POLISHED FAST FITTING DOME CAP	22

REVISIONS - BALLOONS DENOTE CHANGES			
REV.	DESCRIPTION	DATE	APPROVED
A		03/12/2024	ZACH



SECTION B-B
SCALE 1 : 6

UNLESS OTHERWISE SPECIFIED:		NAME	DATE	
DIMENSIONS ARE IN INCHES		DRAWN	VINH 03/12/24	
TOLERANCES:		CHECKED		TITLE: SHOP DRAWING, COLONIAL TOP RAIL, 6" CABLE SECTION, FULL FRAME KIT
SURFACE FINISH: 125 RMS		ENG APPR.		
ANGULAR: ±.5 DEG		MFG APPR.		
LINEAR: .X ±.02		INTERPRET GEOMETRIC TOLERANCING PER: ASME Y14.5-2009		SIZE DWG. NO. B HC281606
.XX ±.010		PROPRIETARY AND CONFIDENTIAL THE INFORMATION CONTAINED IN THIS DRAWING IS THE SOLE PROPERTY OF UltraLox. ANY REPRODUCTION IN PART OR AS A WHOLE WITHOUT THE WRITTEN PERMISSION OF UltraLox.		
.XXX ±.005		DO NOT SCALE DRAWING		REV A
THIRD ANGLE PROJECTION:				SCALE: 1:10 WEIGHT:
MATERIAL				SHEET 1 OF 1
FINISH				