

4

3

2

1

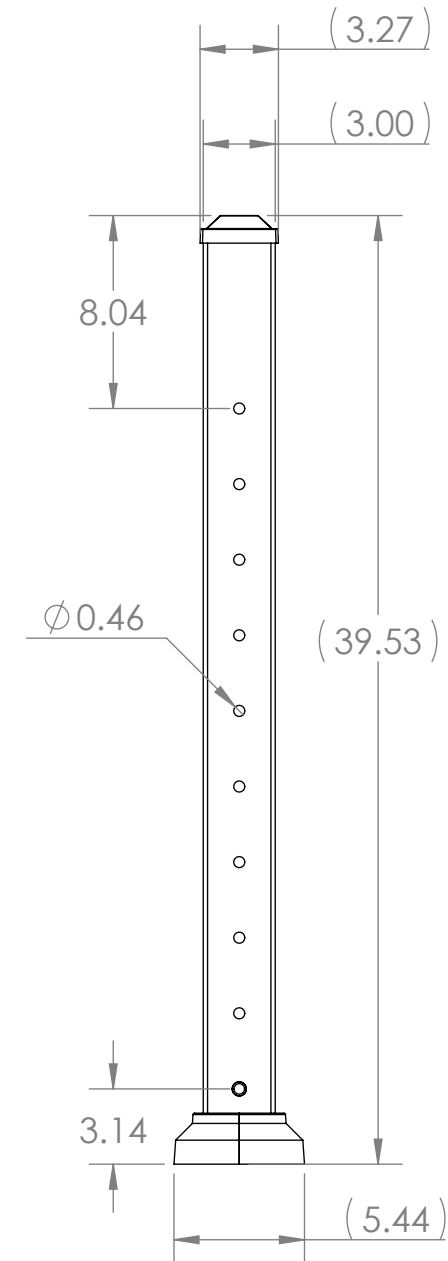
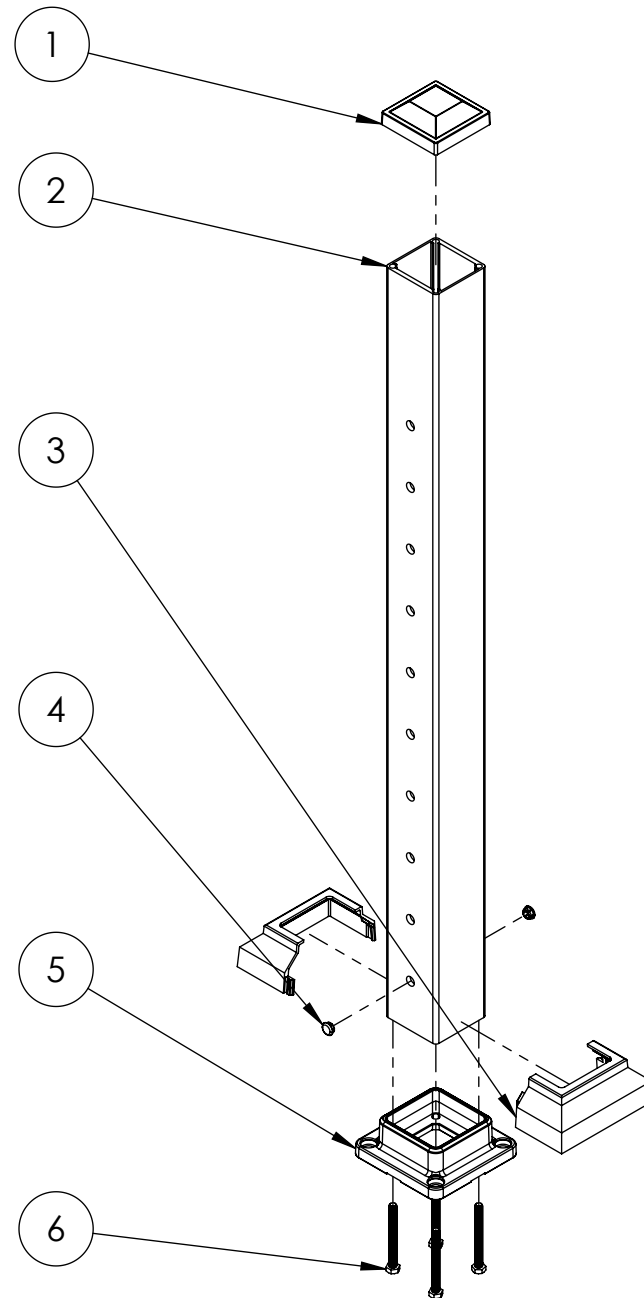
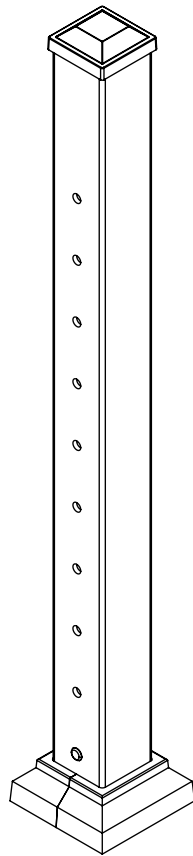
ITEM NO.	PART NUMBER	DESCRIPTION	QTY.
1	CC04430	3" POST CAP	1
2	PO043637	3" X 42" DECK END POST	1
3	BC015305	3" POST SKIRT	1
4	CR004008	3" DECK END POST HOLE PLUG	2
5	BP04450	3" BASE PLATE	1
6	SS009880	M8 X 80 POST BOLT SS	4
7	RJ09700	3" POST JIG FOR CLIP INSTALLATION	1

COLOR OPTIONS	
PART NUMBER	COLOR
PC441636B	BLACK
PC441636W	WHITE
PC441636Z	BRONZE

REVISIONS - BALLOONS DENOTE CHANGES			
REV.	DESCRIPTION	DATE	APPROVED
A		03/12/2024	ZAG

B

B



A

A

NOTE:
1. CR004008 IS ONLY USED FOR FULL FRAME H-CABLE SYSTEMS

UNLESS OTHERWISE SPECIFIED:		NAME	DATE	
DIMENSIONS ARE IN INCHES		DRAWN	VINH 03/12/24	
TOLERANCES:		CHECKED		
FRACTIONAL ±		ENG APPR.		
ANGULAR: MACH ± BEND ±		MFG APPR.		TITLE: SHOP DRAWING, WILLIAMS 3" X 36" POST, CABLE END POST
TWO PLACE DECIMAL ±				
THREE PLACE DECIMAL ±				SIZE DWG. NO. REV B PC441636 A
INTERPRET GEOMETRIC TOLERANCING PER:		THIRD ANGLE PROJECTION:		SCALE: 1:12 WEIGHT:
MATERIAL		PROPRIETARY AND CONFIDENTIAL THE INFORMATION CONTAINED IN THIS DRAWING IS THE SOLE PROPERTY OF UltraLox. ANY REPRODUCTION IN PART OR AS A WHOLE WITHOUT THE WRITTEN PERMISSION OF UltraLox.		SHEET 1 OF 1
FINISH		DO NOT SCALE DRAWING		

4

3

2

1