

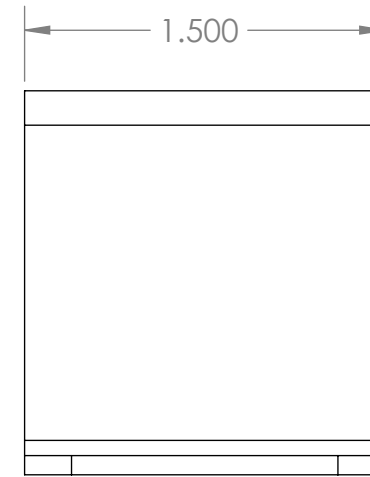
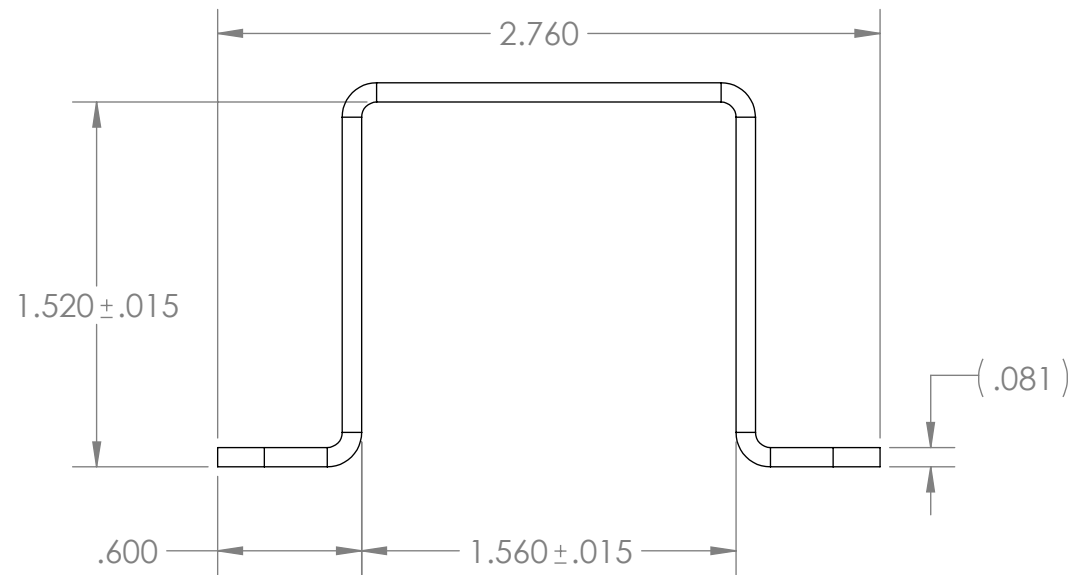
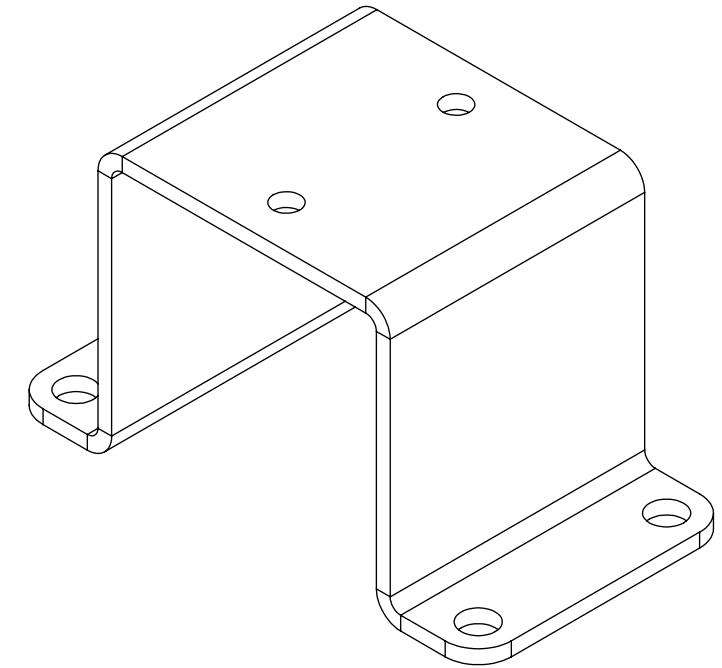
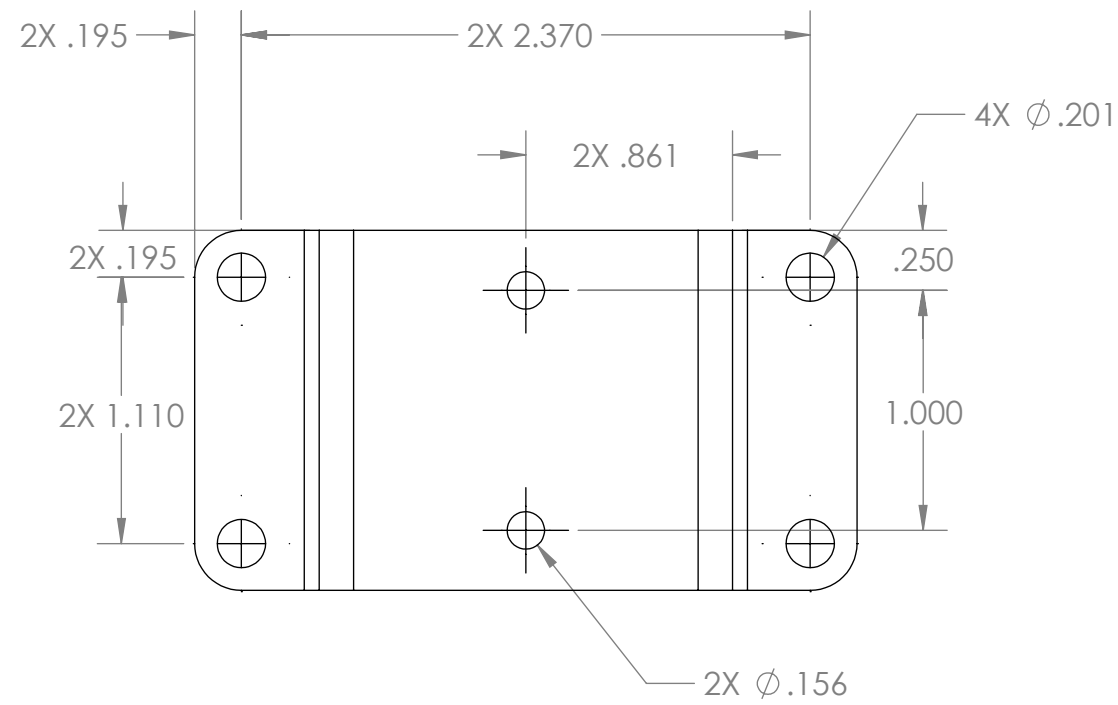
4

3

2

1

REVISIONS - 0 BALLOONS DENOTE CHANGES			
REV.	DESCRIPTION	DATE	APPROVED
A		2/5/2018	ZAG



NOTE:  
1. ENDS TO BE FREE OF BURRS.

UNLESS OTHERWISE SPECIFIED:		NAME	DATE		
DIMENSIONS ARE IN INCHES		DRAWN	ZAG		2/5/18
TOLERANCES:		CHECKED			
SURFACE FINISH: 125 RMS		ENG APPR.			
ANGULAR: .5°		MFG APPR.			
TWO PLACE DECIMAL $\pm$ .020		THIRD ANGLE PROJECTION:			
THREE PLACE DECIMAL $\pm$ .010					
INTERPRET GEOMETRIC TOLERANCING PER:				TITLE:	
MATERIAL		<b>PROPRIETARY AND CONFIDENTIAL</b> THE INFORMATION CONTAINED IN THIS DRAWING IS THE SOLE PROPERTY OF UltraLox. ANY REPRODUCTION IN PART OR AS A WHOLE WITHOUT THE WRITTEN PERMISSION OF UltraLox IS FORBIDDEN.		FABRICATION DRAWING, HAT CHANNEL BRACKET, FOR MOUNTING H-CHANNEL	
FINISH		SIZE	DWG. NO.	REV	
.081 5052 H-32		<b>B</b>	<b>BR094203</b>	<b>A</b>	
DO NOT SCALE DRAWING		SCALE: 1:1	WEIGHT:	SHEET 1 OF 1	

4

3

2

1